

STARTING AT: **\$17,997.00**

**155W X-SERIES**  
 LASER POWER INCLUDED

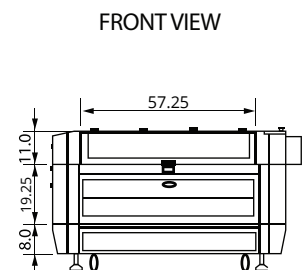
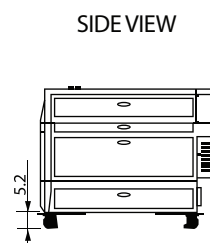
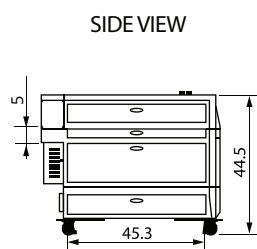
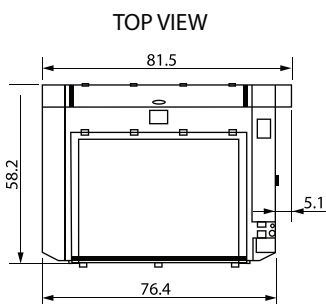
**LASER CAD  
 METAL CUTTING  
 SOFTWARE INCLUDED**

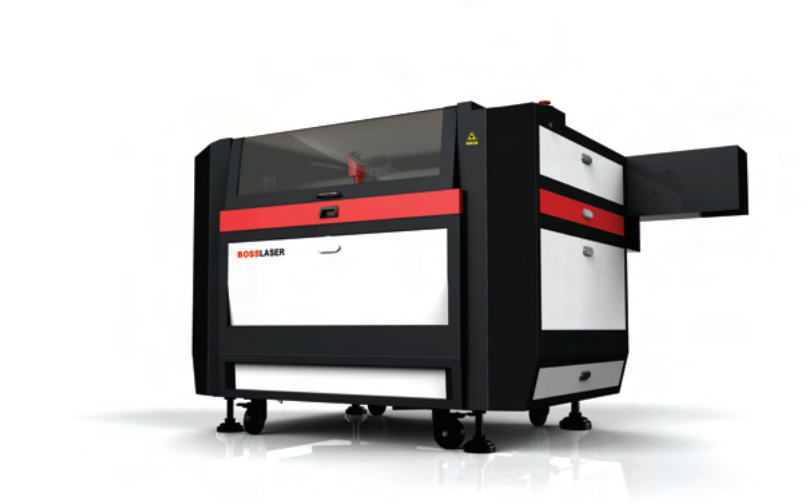
INDUSTRY LEADING  
**2 YEAR  
 WARRANTY**

COVERING ALL PARTS  
 1 YEAR LASER TUBE

### HP-3655 INCLUDES:

- 155W CO2 Power BOSS X-SERIES™
- 4-Way Material Tru-Pass-Thru™ Points For Greater Flexibility
- Laser Cad Metal Cutting Software
- Designed & Engineered In USA By Boss Laser
- HP Auto Focus - FLEX™ Laser Head For Organic Material Processing
- HP Reciprocating - VECTOR DC™ Laser Head For Steel Processing
- HP Saw Tooth & Knife Blade Platform
- HP Series Illuminated LCD For Quick Touch Laser Head Control
- Inline Beam Combiner Illuminates Red Dot For Improved Accuracy And Alignment
- Made-In-USA Optics From American Photonics Offers 14% Beam
- Motorized Z-Table With Working Height Of 7" Accommodates Taller
- New & Easy Laser/PC Connectivity Via. WI-FI, Ethernet, Or USB
- New 256MB USB Flash Drive For Alternative Job Storage
- PC Compatibility Windows, Mac OS, Or Linux
- Quality Management System (QMS) - ISO-9001 CERTIFIED
- Tech Support For Life Via. BOSS' In-House Laser Tech's And Engineers
- VIP "How-To" Instructional Videos For Ongoing Improvement And Creative Ideas
- Warehoused Replacement Parts & Accessories For Quick Replacement
- Warranty - 2 Year Parts / 1 Year Tube





SPECIFICATIONS		Cutting Area	33 IN. X 54 IN. (850 X 1380MM)
Machine Dimensions	81.1" L X 58.2" W X 44.5" H	Work Area	40 X 70" + Material pass throughs
Material Platform	Saw tooth & knife blade platform (Honeycomb option)	Warranty	2 years / 1 year CO2 X-Series laser tube
Net Weight	1,100 lbs.	Gross Power	Up to 20 AMPS
OS Compatibility	Windows (32 or 64 bit), Linux, or Mac OS	Software Interface	Laser Cad Metal Cutting Software
Crate Dimensions/ Gross Weight	84" L X 60" W X 50" H	Motor type	Turbo Drive
Laser Power	X-Series™ 155 Watts	Venting Attachments	Air exhaust fan with venting pipe
Material Capability	Organics & Thin Gauge Metal - etch Pre-Treated Metal	Power Supply	Premium AC 110V
Z table	Auto Z-Table lowers 7"	Class	Class 4 Laser