



70W X-SERIES

LASER POWER OPTIONAL

2021 LIGHTBURN SOFTWARE \$89 OPTION

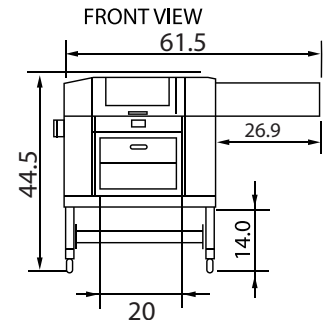
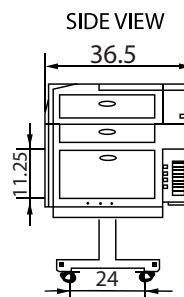
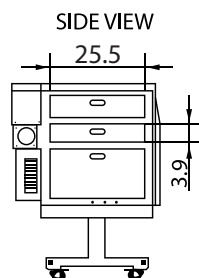
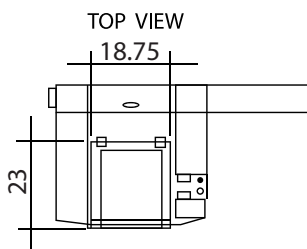
INDUSTRY LEADING

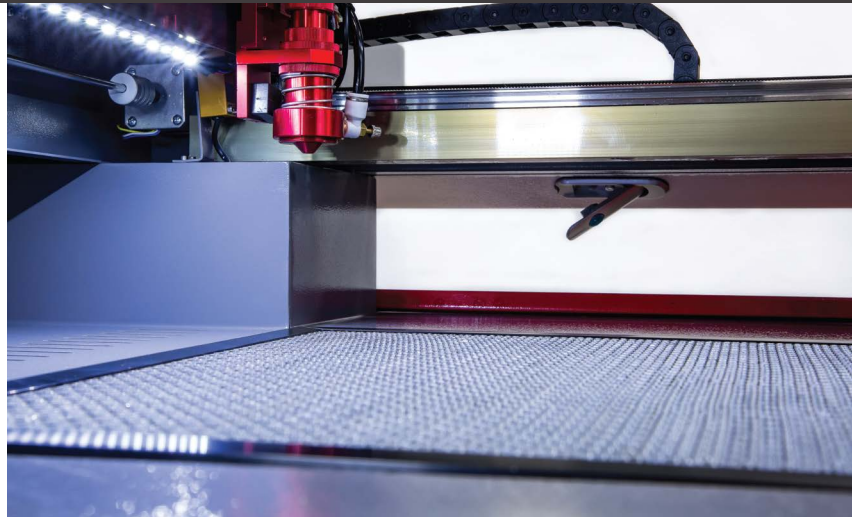
2 YEAR WARRANTY

COVERS ALL PARTS
1 YEAR ON LASER TUBE

LS-1420 INCLUDES:

- NEW! 4-WAY PASS-THRU for greater material handling.
- RD Works Software or Upgrade to 2022 Lightburn (\$89).
- NEW! Auto focus makes focusing the laser head quick and easy
- NEW! U.S. optics from American Photonics. Proven 14% beam transmission improvement vs. imported optics.
- NEW! Inline Beam Combiner (no more red dot pointer!) illuminates red dot on the material for improved accuracy and alignment.
- Laser head Air Assist keeps smoke & debris out of the laser area
- Motorized Z Table with 8" height adjustment.
- Wi-Fi or USB connection to PC Option
- Large exhaust fan and venting for extracting smoke and fumes.
- Both Honeycomb and Knife blade platforms for cutting and engraving
- Quality CNC machined parts for long term reliability.
- Ball bearing Y axis guide rails ensures smooth & precise laser movement
- Optional Heavy Duty Rotary or Chuck attachment for cylindrical objects
- Quick access to warehoused replacement parts at an affordable cost
- Dedicated USA technical support of trained tech's and engineers.
- 30 Day "Try-It-Out" Return Policy.
- FULL 2-Year Warranty covers parts . 1-year on laser tube. Optional warranty extensions
- Free Lifetime Tech Support As long as you own the machine we're here to serve you.





SPECIFICATIONS

Cutting Area	15.75" x 13.75" or 19.75" x 13.75"	Material Platform	Both Honeycomb & Knife Blade cutting tables
Machine Stand	Steel stand w/ casters for mobility; 24" height (optional)	Platform Capacity	Up to 30 lbs. lifting 35 lbs. static
Laser Power	CO2 Glass 50W optional 70W (cut up to 3/8" wood / acrylic)	Net Weight	415lbs. - machine only
Software Interface	RD Works or Upgrade to 2021 Lightburn (\$89)	Power Supply	Standard AC 110V (220V upon request)
Material Capacity	Organics / non-metal - can mark treated metals	OS Compatibility	Windows, Mac OS, or Linux (32 or 64-bit)
Machine Dimensions	With Stand - 61.5" x 36.6" x 45.3"; Without Stand - 61.5" x 36.6" x 31.5"	Laser / PC Connectivity	USB and WiFi networking
Venting Attachments	Air Exhaust fan with extended venting pipe	Job Memory Capacity	128mb via. USB flash drive
Motor type	Hybrid Servo Motor	Crate Dimensions/Gross Weight	60L X 36W x 50H / 650#
Z table	Push button lower or raise 8"	Warranty	2 (two) year covers all parts. 1 (one) year on laser tube. Extension on warranty available.
		Class	Class 4 laser